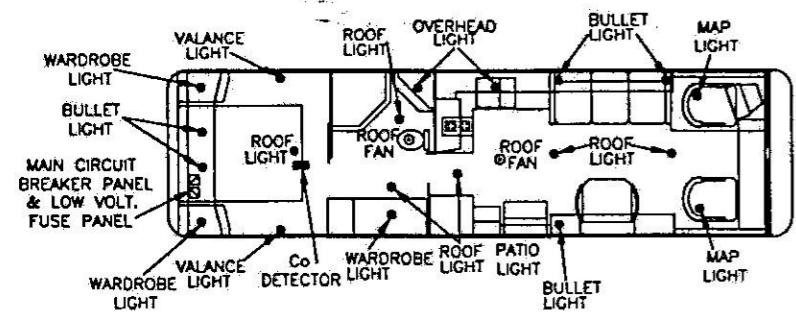
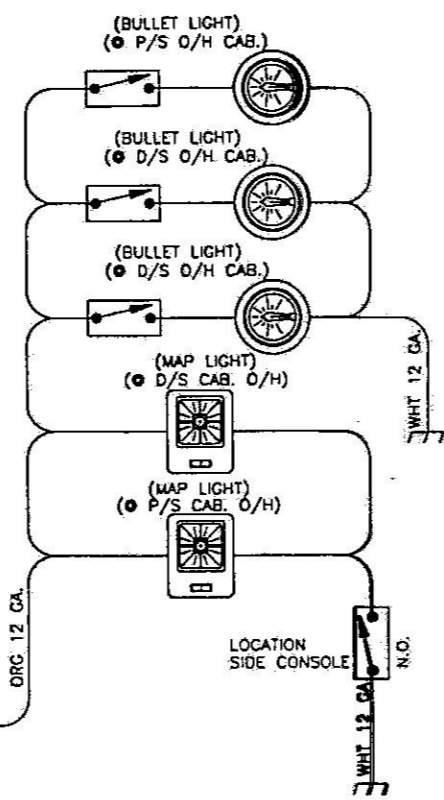


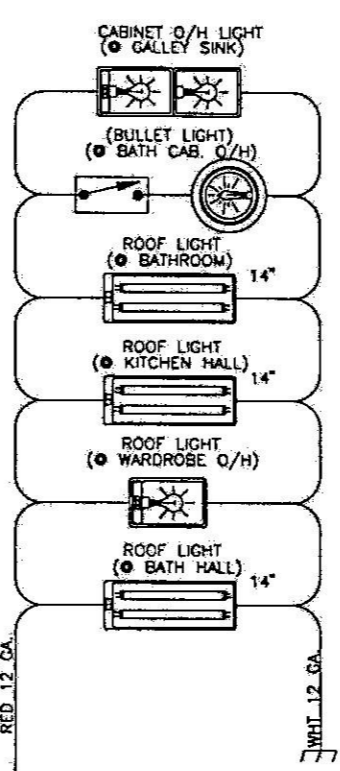
APPLIANCE	MAKE & MODEL NO.	DC CURRENT	CIRCUIT NO.
1. REFRIGERATOR	NORCOLD #682	1.8 AMPS	#9
2. FURNACE	SUBURBAN SF-42 / 42,000 BTU	10.5 AMPS	#7
3. WATER HEATER	SUBURBAN WSH-10-3 / 10 GAL.	1.0 AMP	#6
4. WATER PUMP	FLOJET 4406 "QUAD DIAPHRAGM"	3.9 AMPS	#5
5. ATTIC (FAN)	FANTASTIC 4000BT	2.5 AMPS	#4



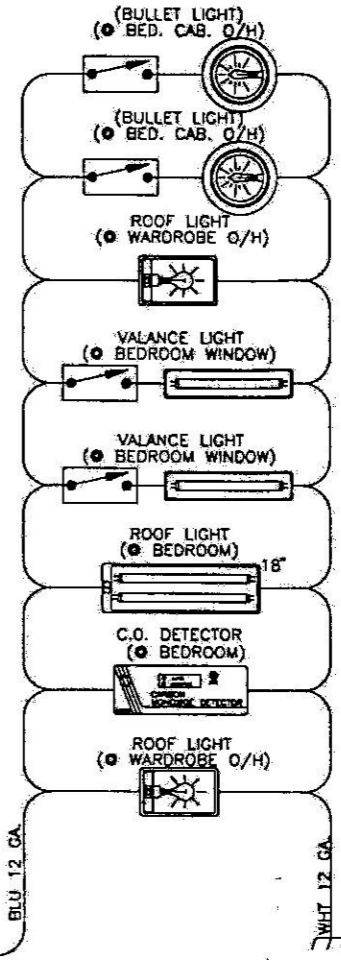
-LIVINGROOM-



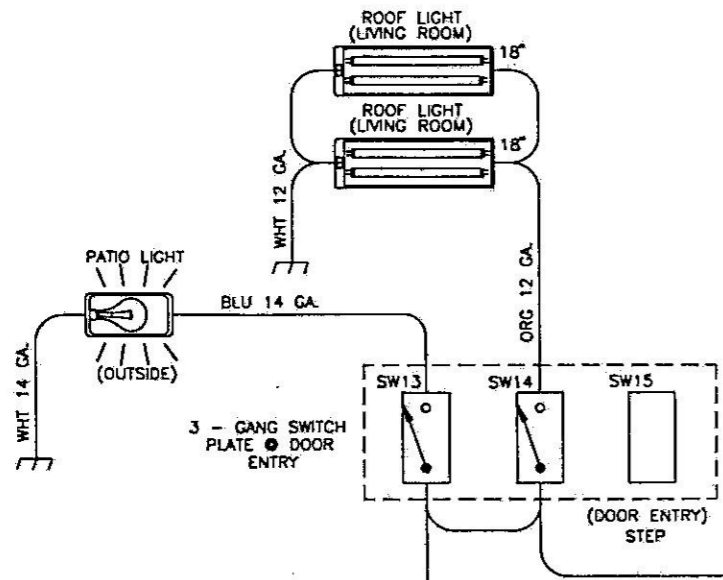
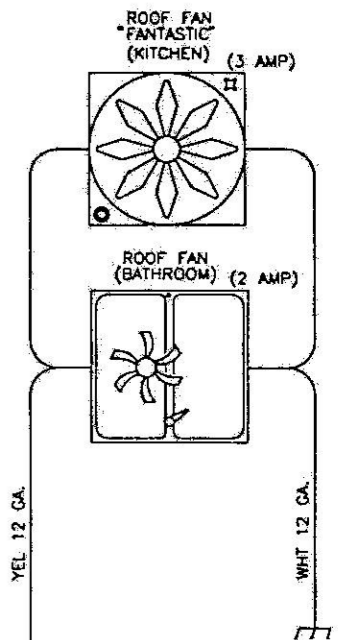
-KITCHEN-



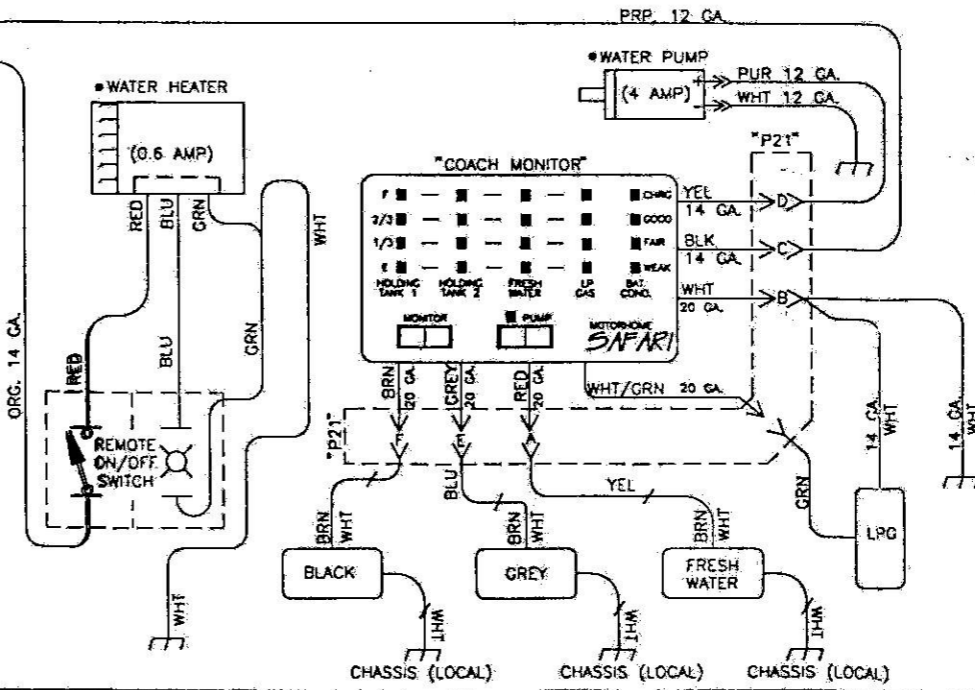
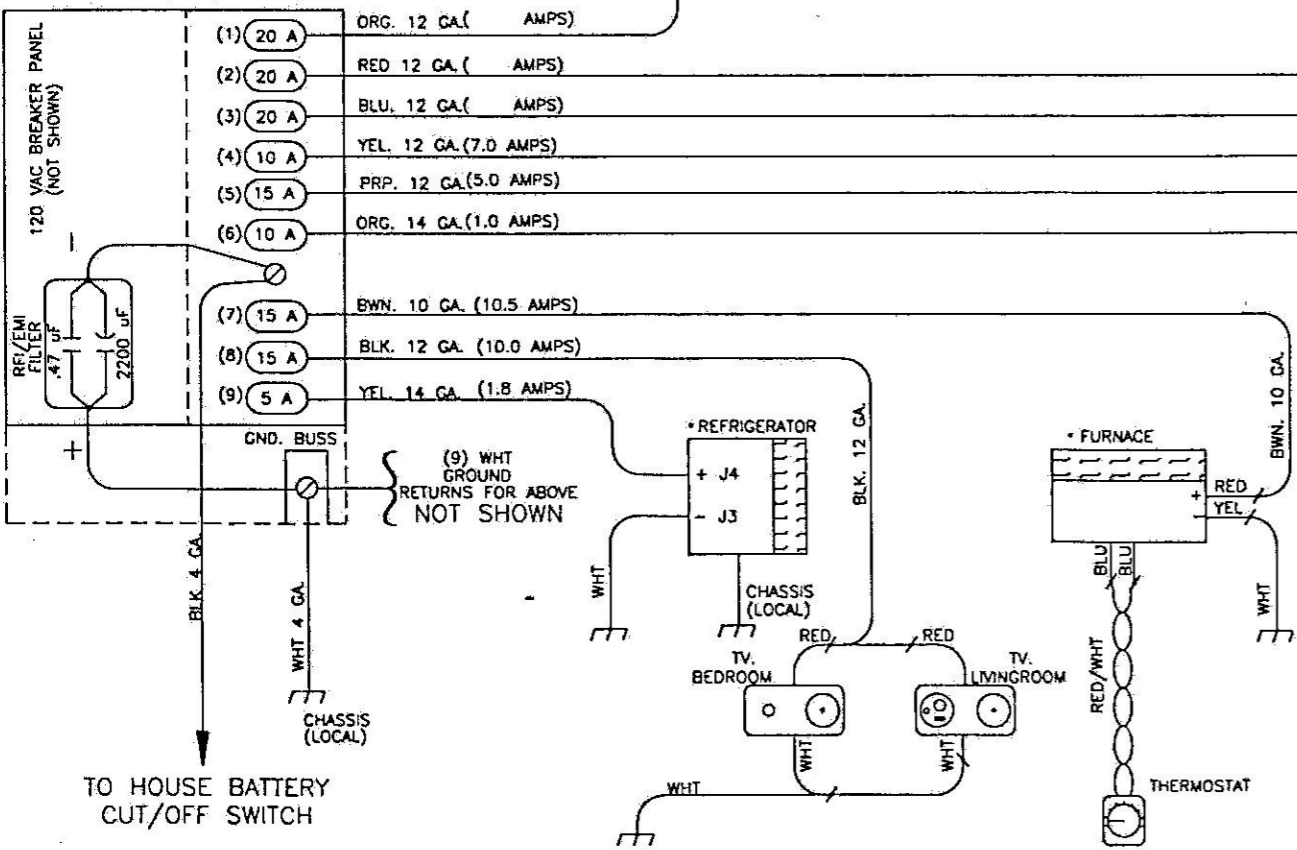
-BEDROOM-



-POWER VENTS-



BEDROOM
-REAR O.H.-
"TODD" BRKR/FUSE PANEL



- NOTE
- 1) UNLESS NOTED, \perp ARE NOT LOCAL GROUNDS BUT ARE RETURNS TO GND. BUSS IN A FUSE PANEL.
 - 2) UNLESS SHOWN, ON/OFF SWITCHES ARE PART OF THE DEVICE.
 - 3) / IS A WIRE NUT OR BUTT SPLICE.
 - 4) WHT GROUND RETURN WIRE ARE TO BE SAME SIZE AS SUPPLY WIRE.

REV.	DATE	WHO	DESCRIPTION
A	4/25/95	KBH	FINALIZE FOR DISTRIBUTION MODEL YEAR 1996
SAFARI MOTOR COACHES, INC.			
BEDROOM BRKR./FUSE PANEL 12 VOLTS COMPONENT DIAGRAM			
SCALE:	NONE	DATE:	3/21/95
1996	3044	SAHARA	DRAWING NO. 025E0305
DESIGN:	MKP	DRAWN BY:	KBH

TO HOUSE BATTERY CUT/OFF SWITCH